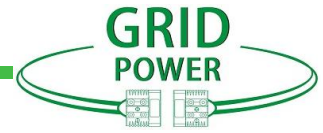


# GPS 50AFP

## Multipole Power Connector



### FEATURES

- **Flat wiping contact system**  
Minimal contact resistance at high current, wiping action cleans contact surface during connection/disconnection
- **Mechanical keyed housings** Prevents accidental mating of components operating at different voltage levels
- **Finger proof**  
Minimizes the potential contact with live contacts, per UL 1977
- **Ergonomic design**  
Is "user friendly" during connection and disconnection of the system

### 特征

- **平面接触技术**  
强电流下接触电阻最小，断开过程中产生的擦拭动作可清洁接触件表面
- **彩色防呆设计**  
根据颜色确定行业标准推荐的使用电压，避免两个带有不同电压编码颜色的胶壳配插（消除电源与插座误插的可能性）
- **防金属指**  
有助防止手指（或探针）接触工作中金属件，符合 UL1977
- **人体工学设计**  
提供良好的插拔设计

### PRODUCT SPECIFICATIONS/产品规格

Current Rating (Amperes) 额定电流 (安培)	75
Voltage Ratings (Volts) 额定电压 (伏特)	600
Contact Barrel Wire Size (AWG) (mm <sup>2</sup> ) 适用线径 (AWG) (mm <sup>2</sup> )	#6 to #16 13.3 to 1.3
Maximum Wire Insulation Diameter (inches) (mm) 最大绝缘导线直径(英寸) (毫米)	0.41 10.4
AVG Contact Resistance(micro-ohms) 接触电阻 (微欧)	200
Insulation Withstanding Test Voltage (Volts AC/DC) 绝缘耐电压 (交流/直流)	2200
Contact Retention Force (lbf) 端子保持力 (磅)	50
Life/寿命 a. No load (Contact/Disconnect Cycles) 无负载 (插拔次数) b. Under Load (Hot Plug 250 cycles @ 120V) 负载状态 (120V 电压执插拔 250 次)	To 10,000 50A
Avg. Connection/Disconnect (lbf) 平均插拔力 (磅)	16
Operating Temperature Range °C/°F 工作温度 PBT 材料	-20° to 105°/-4° to 221° -40° to 125°/-40° to 257°
Flammability Rating of Housing Material 材料防火等级 Plastic(塑胶壳) Polycarbonate and PBT Contact(端子) Copper Alloy Silver plating and	UL94 V-0

Your Best High Power Connection



Shenzhen Grid Power Connectors Co., Ltd

Tel: +86 0755-23208099 23205933

Address: The 2nd Floor, Building B&C Plant 1, Senyang, Technology Park, Guangming District, ShenZhen City, PRC

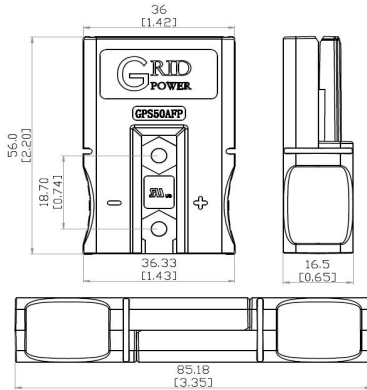
www.grd-power.com

# GPS 50AFP

## Multipole Power Connector

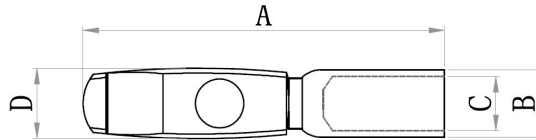


### HOUSING/胶壳



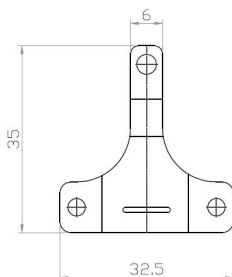
Part Number 料号	Part Number 料号(PBT)	Housing Color 胶壳颜色
GPS50AFP-G3012G1	G3012G1-P	Gray 灰色
GPS50AFP-G3012G2	G3012G2-P	Red 红色
GPS50AFP-G3012G3	G3012G3-P	Black 黑色
GPS50AFP-G3012G4	G3012G4-P	Blue 蓝色
GPS50AFP-G3012G5	G3012G5-P	Yellow 黄色
GPS50AFP-G3012G6	G3012G6-P	Green 绿色
GPS50AFP-G3012G7	G3012G7-P	Orange 橙色
GPS50AFP-G3012G8	G3012G8-P	Brown 棕色
GPS50AFP-G3012G9	G3012G9-P	White 白色

### GPS SILVER PLATED PRIMARY POWER WRIE CONTACTS/接触件



Part Number 料号	Description 描述	Mating Force 配合力	Wire Size/线径		-A-		-B-		-C-		-D-	
			AWG	sq. mm	mm	In.	mm	In.	mm	In.	mm	In.
S1339G1	Individual 单粒	Low 低	#5	16.8	39.4	1.55	7.1	0.28	5.9	0.23	7.6	0.30
S1339G2	Individual 单粒	Low 低	#6	13.3	39.4	1.55	7.1	0.28	5.6	0.22	7.6	0.30
S1339G3	Individual 单粒	Low 低	#10/#12	5.3/3.3	39.4	1.55	7.1	0.28	3.55	0.14	7.6	0.30
S1339G5	Individual 单粒	Low 低	#8	8.4	39.4	1.55	7.1	0.28	4.7	0.19	7.6	0.30

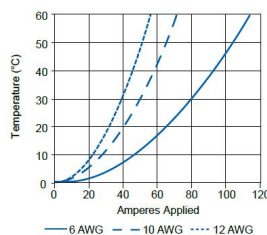
### CABLE CLAMPS/线扣



Part Number 料号	Description 描述
G5905	Bolt on for Bundled Conductor

### TEMPERATURE RISE CHARTS/温升测试

Temperature Rise at Constant Current/温升曲线



Your Best High Power Co



Shenzhen Grid Power Connectors Co., Ltd

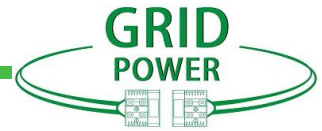
Tel: +86 0755-23208099 23205933

Address: The 2nd Floor, Building B&C Plant 1, Senyang, Tehnology Park, Guangming District, ShenZhen City, PRC

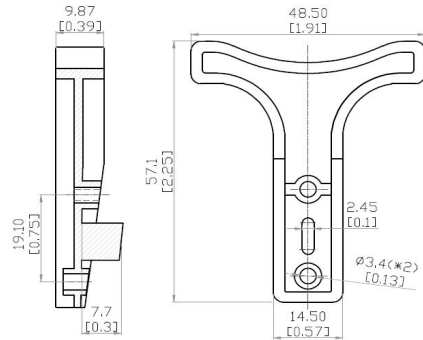
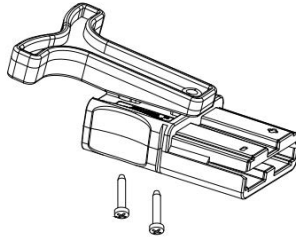
www.grd-power.com

# GPS 50AFP

Multipole Power Connector

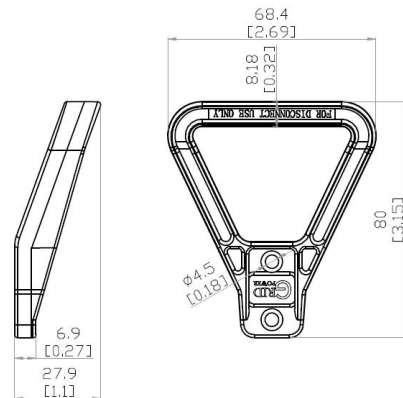
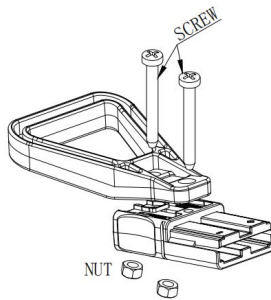


## T TYPE HANDLE / T 型拉手



Part Number/料号	Color/颜色
MPC50HDL-Red	Red 红色
MPC50HDL-BLK	Black 黑色
MPC50HDL-GRY	Gray 灰色

## O TYPE HANDLE/圆型拉手



Part Number/料号	Color/颜色
G997G1	Gray 灰色
G997G2	Red 红色



Your Best High Power Connection



Shenzhen Grid Power Connectors Co., Ltd

Tel: +86 0755-23208099 23205933

Address: The 2nd Floor, Building B&C Plant 1, Senyang, Technology Park, Guangming District, ShenZhen City, PRC

www.grid-power.com