

GPS 40AFP

SMART CAT Connector



FEATURES

特征



• Mechanical keyed housing

Prevents accidental mating of components operating at different voltage levels

• Fungger proof(pending)

Minimizes the potential contact with live contacts,per UL 1977

•Ergonomic design

Is" user friendly"during connection and disconnection of the system

• Molded side geoves

Allows for direct panel mounting,for Panel thicknesses of 0.04 inches (1.0mm) or a panel mount bracket

◆ 彩色防呆设计

根据颜色确定行业标准推荐的使用电压，避免两个带有不同电压编码颜色的胶壳配插(消除电源与插座误插的可能性)

◆ 防金属指

有助防止手指(或探针)接触工作中金属件，符合UL1977

◆ 人体工学设计

提供良好的插拔设计

◆ 安装槽

可直接安装于面板或支架要，安装板厚为0.04英寸(1mm)

PRODUCT SPECIFICATIONS/产品规格

Current Rating (Amperes) 额定电流 (安培)	40
Voltage Ratings (Volts) 额定电压 (伏特)	600
Contact Barrel Wire Size (AWG/ mm ²) 适用线径 (AWG/ mm ²)	AWG #8 to #20 (8.3 mm ² to 0.5 mm ²)
Maximum Wire Insulation Diameter (mm/ inches) 最大绝缘导线直径 (毫米/英寸)	4.5 mm (0.177 inches)
AVG Contact Resistance(micro-ohms) 接触电阻 (微欧)	530
Insulation Withstanding Test Voltage (Volts AC/DC) 绝缘耐电压 (交流/直流)	2200
Contact Retention Force (lbf)端子保持力 (磅)	25
Life/寿命	
a. No load (Contact/Disconnect Cycles)无负载 (插拔次数)	To 10,000
b. Under Load (Hot Plug 250 cycles @ 120V)负载状态 (120V 电 压执插拔 250 次)	40 A
Avg. Connection/Disconnect (lbf) 平均插拔力 (磅)	10
Operating Temperature Range °C/ °F 工作温度	-20° to 105°/-4° to 221° -40° to 125°/-40° to 257°
PBT 材料	
Flammability Rating of Housing Material 材料防火等级 Plastic(塑胶壳) Polycarbonate and PBT Contact(端子) Copper Alloy Silver plating	UL94 V-0

Your Best High Power Connection Choice



Grid Power Connectors Co. , Ltd

Tel: +86 0755-23208099 23205933

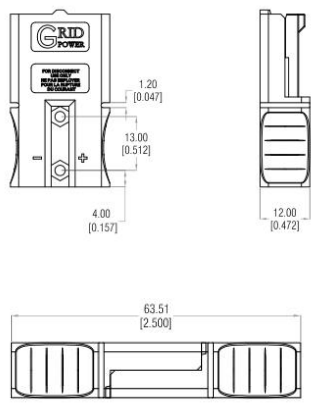
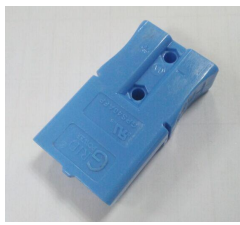
Address:The 2nd Floor, Building B&C, Plant 1 , Senyang
Technology Park, Guangming District, Shenzhen City, PRC ,
www.gridpower-conn.com www.grd-power.com

GPS 40AFP

SMART CAT Connector

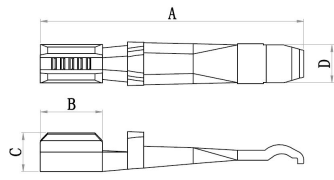


HOUSING/胶壳



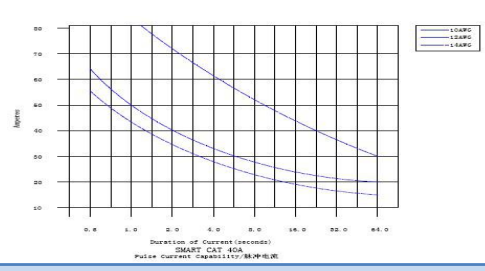
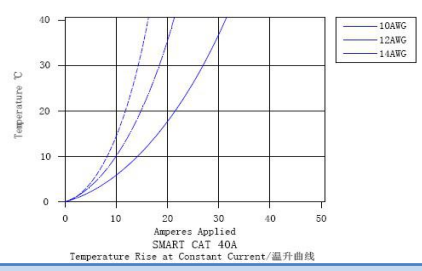
Part Number 料号	Part Number 料号 PBT	Housing Color 胶壳颜色
GPS40AFP-G3011G1	G3011G1-P	Gray 灰色
GPS40AFP-G3011G2	G3011G2-P	Red 红色
GPS40AFP-G3011G3	G3011G3-P	Black 黑色
GPS40AFP-G3011G4	G3011G4-P	Brown 棕色
GPS40AFP-G3011G5	G3011G5-P	Blue 蓝色
GPS40AFP-G3011G6	G3011G6-P	Yellow 黄色
GPS40AFP-G3011G7	G3011G7-P	Green 绿色
GPS40AFP-G3011G8	G3015G8-P	Orange 橙色
GPS40AFP-G3011G9	G3015G9-P	White 白色

CANTACT/接触件

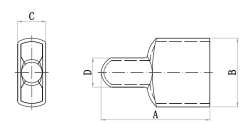


Part Number 料号	Description 描述	Wire Size/线径		-A-		-B-		-C-		-D-	
		AWG	sq. mm	mm	In.	mm	In.	mm	In.	mm	In.
S362G1	Individual/Silver 单粒/镀银	16/20	1.3/0.5	27.00	1.06	6.33	0.25	3.9	0.14	3.84	0.15
S361G1	Individual/Silver 单粒/镀银	12/16	3.3/1.3	27.00	1.06	6.33	0.25	4.6	0.18	3.84	0.15
S361G2	Individual/Silver 单粒/镀银	10/14	5.3/2.1	27.00	1.06	6.33	0.25	5.6	0.20	3.84	0.15
S361G3	Individual/Silver 单粒/镀银	8#	8.4	27.00	1.06	6.33	0.25	6.8	0.27	3.84	0.15

TEMPERATURE RISE CHARTS/温升测试



SHEATH /护套



Part Number 料号	Number of Poles 极数	-A-		-B-		-C-		-D-	
		mm	In.	mm	In.	mm	In.	mm	In.
GPS40A-SH	2 Pole	46.0	1.81	27.0	1.06	11.0	0.43	11.1	0.44

Your Best High Power Connection Choice

Grid Power Connectors Co., Ltd
Tel: +86 0755-23208099 23205933



Address: The 2nd Floor, Building B&C, Plant 1, Senyang Technology Park, Guangming District, Shenzhen City, PRC,
www.gridpower-conn.com www.grd-power.com