

# Power Module

## Module Power Connector



ECBT2.E357218



### FEATURES

- **Industrial standard contacts**  
Allows to cross mating to competitive product
- **Integral Guide Pin design**  
Reduces Fatiguing Stress on connectors during Blind mating
- **First/Last mate and break design**  
Grounds and Powers the system before mating of signal circuit
- **High mating cycle , Line and Crown contact Design**  
Line and Crown contact solution ,Provide high mating cycle and low mating force

### 特征

- ◆ **工业标准端子选配**  
可以与竞争对手的产品很好的相兼容
- ◆ **盲导功能设计**  
盲插连接过程中降低疲劳应力
- ◆ **先/后 接触及先后断开设计**  
电力和接地保护在连接电路前
- ◆ **高耐久性、高可靠性线簧或冠簧接触件, 连接器插拔寿命长**  
线簧及冠簧接触设计, 高插拔寿命及低插拔力表现

### PRODUCT SPECIFICATIONS/产品规格

Contact size	#0	#12	#16	#20
Current Rating (Amperes) 额定电流 (安培)	180	40	25	5
Voltage Ratings (Volts) 额定电压 (伏特)	600	600	600	600
Voltage Drop mV 电压降	0.6	0.33	0.35	0.70
Insulation Withstanding Test Voltage (Volts AC) 绝缘耐电压 (交流)	>500MΩ	>500MΩ	>500MΩ	>500MΩ
Insertion Force Per Contact (lbf) (N) 插入力	10.0 44.6	1.8 8.04	1.2 5.39	0.43 1.,96
Extraction Force Per Contact(lbf) (N) 拔出力	8 35.6	1.02 4.51	0.5 2.26	0.07 0.29
Operating Temperature Range °C °F 工作温度	-55° to 125° -131°to 257	-55° to 125° -131°to 257	-55° to 125° -131°to 257	-55° to 125° -131°to 257
Products Certification	UL CUL			
Flammability Rating of Housing Material 材料防火等级 Plastic(塑胶壳) PET/PBT Contact(端子) Copper Alloy Silver plating and Gold plating	UL94 V-0	UL94 V-0	UL94 V-0	UL94 V-0

Your Best High Power Connection



E57218

Shenzhen Grid Power Connectors Co., Ltd

Tel: +86 0755-23208099 23205933

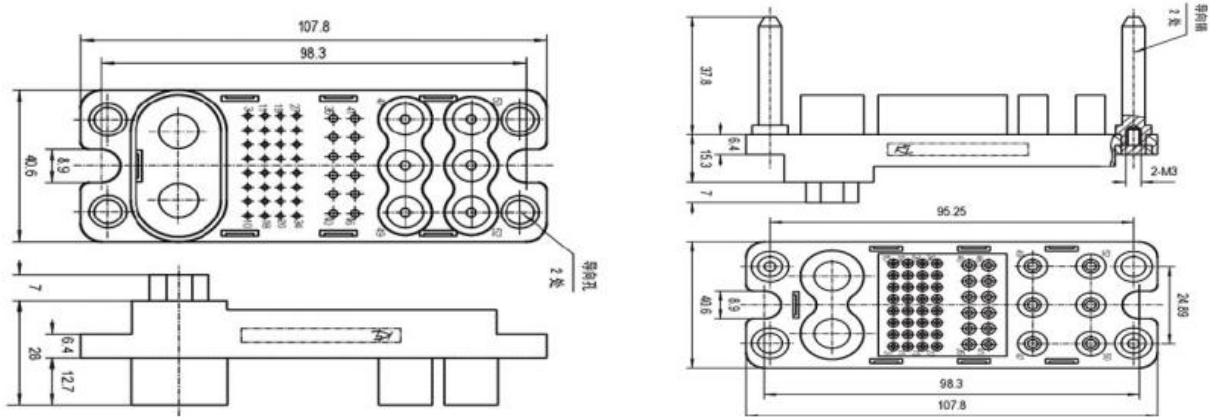
Address: The 2nd Floor,Building B&C Plant 1,Senyang ,  
Tehnology Park,Guangming District ,ShenZhen City ,PRC  
www.gridpower-conn.com www.grd-power.com

# Power Module

## Module Power Connector



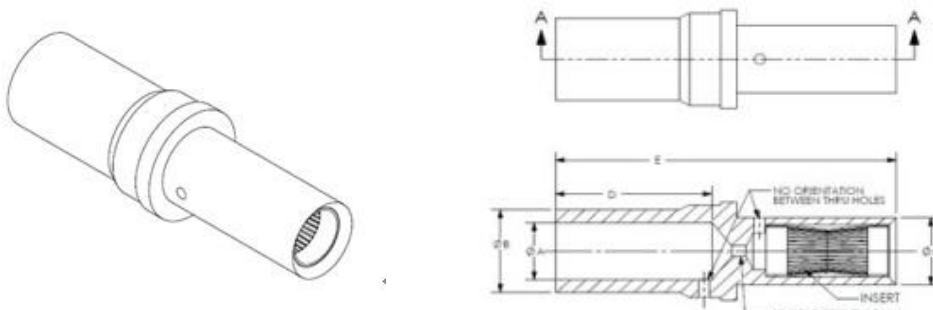
### 52PIN 180A HOUSING/52PIN 180A 胶壳



### SPEC/产品规格

GP52T	插头, 装插针, 2X0#接触件 + 6X12#接触件+12X16#接触件+32X20#接触件 (Pin2X0#, 6X12#, 12X16# Contact)
GP52Z	插座, 装插孔, 2X0#接触件 + 6X12#接触件+12X16#接触件+32X20#接触件 (Socket2X0#, 6X12#, 12X16# Contact)

### CANTACT/接触件



Part Number 料号	Wire Size/ 线径	-A-		-B-		-C-		-D-		-E-	
		mm	In	mm	In	mm	In	mm	In	mm	In
K12YAg-2.5	12-14	2.5	0.10	3.8	0.15	4.1	0.16	6.9	0.27	18	0.71
K12YAg-3.2	12 跟 4mm <sup>2</sup>	3.2	0.13	4.5	0.18	4.1	0.16	6.9	0.27	18.5	0.73
K12YAg-1.8	16	1.8	0.07	3.8	0.15	4.1	0.16	6.9	0.27	18	0.71
K16YAg-1.0	18	1.0	0.04	2.1	0.08	3.4	0.13	7.0	0.28	18.5	0.73
K16YAg-1.8	16	1.8	0.07	2.6	0.10	3.4	0.13	7.0	0.28	18.5	0.73
K20YAg	20	1.2	0.05	2.0	0.08	2.1	0.08	5.2	0.20	17.4	0.69

以上端子如需全镀金后面带上-AU

Your Best High Power Connection



E57218

Shenzhen Grid Power Connectors Co., Ltd

Tel: +86 0755-23208099 23205933

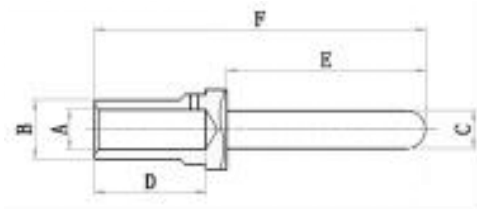
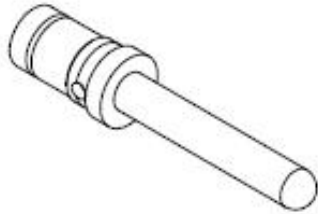
Address: The 2nd Floor, Building B&C Plant 1, Senyang ,  
Tehnology Park, Guangming District ,ShenZhen City ,PRC  
www.gridpower-conn.com www.grd-power.com

# Power Module

## Module Power Connector



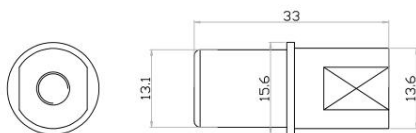
### CANTACT/接触件



Part Number 料号	Description/描述	-A-		-B-		-C-		-D-		-E-		-F-	
		In	mm	In	mm	In	mm	In	mm	In	mm	In	mm
Z12YAgM-2.5	#12-14 AWG- STD. LENGTH	.10	2.6	.15	3.6	.09	2.4	.26	6.5	.56	14.3	.86	21.8
Z12YAgL-2.5	#12-14 AWG- PRE-MATE LENGTH	.10	2.6	.15	3.6	.09	2.4	.26	6.5	.59	15.0	.89	22.5
Z12YAgS-2.5	#12-14 AWG POST-MATE	.10	2.6	.14	3.6	.09	2.4	.28	7.2	.52	13.2	.84	21.4
Z12YAgM-3.2	#12 AWG 跟 4mm <sup>2</sup> - STD. LENGTH, HOT PLUG	.13	3.2	.15	3.8	.09	2.4	.26	6.5	.56	14.3	.86	21.8
Z12YAgL-3.2	#12 AWG 跟 4mm <sup>2</sup> - PRE-MATE LENGTH, HOT PLUG	.13	3.2	.15	3.8	.09	2.4	.26	6.5	.59	15.0	.89	22.5
Z12YAgS-3.2	#12 AWG 跟 4mm <sup>2</sup> POST-MATE, HOT PLUG	.13	3.2	.15	3.8	.09	2.4	.26	6.5	.52	13.2	.81	20.7
Z16YAgM	#16 AWG- STD. LENGTH	.07	1.8	.11	2.8	.06	1.6	.27	6.8	.45	11.5	.75	19.0
Z16YAgL	#16 AWG- PRE-MATE LENGTH	.07	1.8	.11	2.8	.06	1.6	.27	6.8	.60	15.3	.90	22.8
Z16YAgS	#16 AWG- POST MATE LENGTH	.07	1.8	.11	2.8	.06	1.6	.27	6.8	.35	9.0	.70	17.8
Z20YAuM	#20 AWG- STD. LENGTH	.05	1.3	.08	2.0	.04	1.0	.20	5.2	.45	11.5	.69	17.5
Z20YAuL	#20 AWG- PRE-MATE LENGTH	.05	1.3	.08	2.0	.04	1.0	.20	5.2	.53	13.4	.84	21.3
Z20YAuS	#20 AWG POST-MATE	.05	1.3	.08	2.0	.04	1.0	.20	5.2	.40	10.2	.64	16.2

以上端子如需全镀金后面带上-Au(Gold plating -Au)

### CANTACT/接触件



Part Numb 料号	Wire Size/线径	Description 描述
P1352M6-F	M6 螺纹	Silver Plated 镀银
P1352M8-F	M8 螺纹	Silver Plated 镀银

Your Best High Power Connection



Shenzhen Grid Power Connectors Co., Ltd

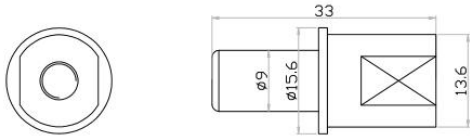
Tel: +86 0755-23208099 23205933

Address: The 2nd Floor, Building B&C Plant 1, Senyang ,  
Technology Park, Guangming District , ShenZhen City , PRC

www.gridpower-conn.com www.grd-power.com

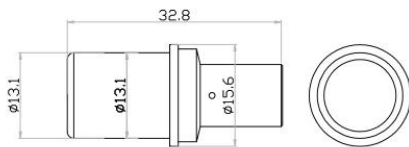
# Power Module

## Module Power Connector

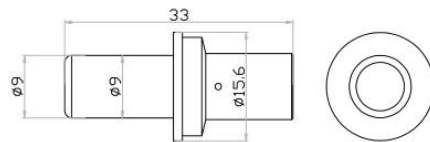


Part Numb 料号	Wire Size/线径	Description 描述
P1352M6-M	M6 螺纹	Silver Plated 镀银
P1352M8-M	M8 螺纹	Silver Plated 镀银

### CANTACT/接触件



Part Numb 料号	Wire Size/线径	Description 描述
P5213-F	#0	Silver Plated 镀银



Part Numb 料号	Wire Size/线径	Description 描述
P5213-M	#0	Silver Plated 镀银

以上端子如需全镀金后面带上-Au ( Gold plating -Au)

Your Best High Power Connection



E57218

Shenzhen Grid Power Connectors Co., Ltd

Tel: +86 0755-23208099 23205933

Address: The 2nd Floor, Building B&C Plant 1, Senyang ,  
Tehnology Park, Guangming District , ShenZhen City , PRC

www.gridpower-conn.com www.grd-power.com